

# MERMAC R

## Remotely operated vehicle (ROV) winch series



MacArtney MERMAC R electrically driven winches are robust and advanced vehicle handling systems that safely control the launch, operation and recovery of work class and inspection ROV systems.

MERMAC R winches are designed to be dependable, offer high performance and be easy to use. MERMAC R winches are available in standard and custom configurations and are easily combined with launch and recovery or moon pool handling systems. All MERMAC R winches are designed as compact and modular systems. Several components are standardised, making it easy to specify, adapt or upgrade to the required performance and capacity.

MERMAC R winches are available with active heave compensation (AHC) which immediately compensates for vessel movement caused by waves, even in heavy seas. This feature reduces weather-related downtime and makes launch and recovery of tethered equipment easier and safer.

MERMAC R winches can be delivered with a remote diagnostics tool which allows MacArtney technicians to remotely monitor and troubleshoot several winch functions in real time. By eliminating unnecessary offshore engineering support, this unique feature potentially offers substantial cost savings to customers and operators.

### Features and benefits

- Compact and modular design using standardised and exchangeable components
- Designed for easy integration with launch and recovery and moon pool handling systems
- All structural components in painted carbon steel
- Integrated protection frame and grating
- Frame mounted main switchbox
- Electrically driven level wind
- Designed according to DNV's Standard for Lifting Appliances Certification note 2.22
- Long and proven track record
- Low noise operation

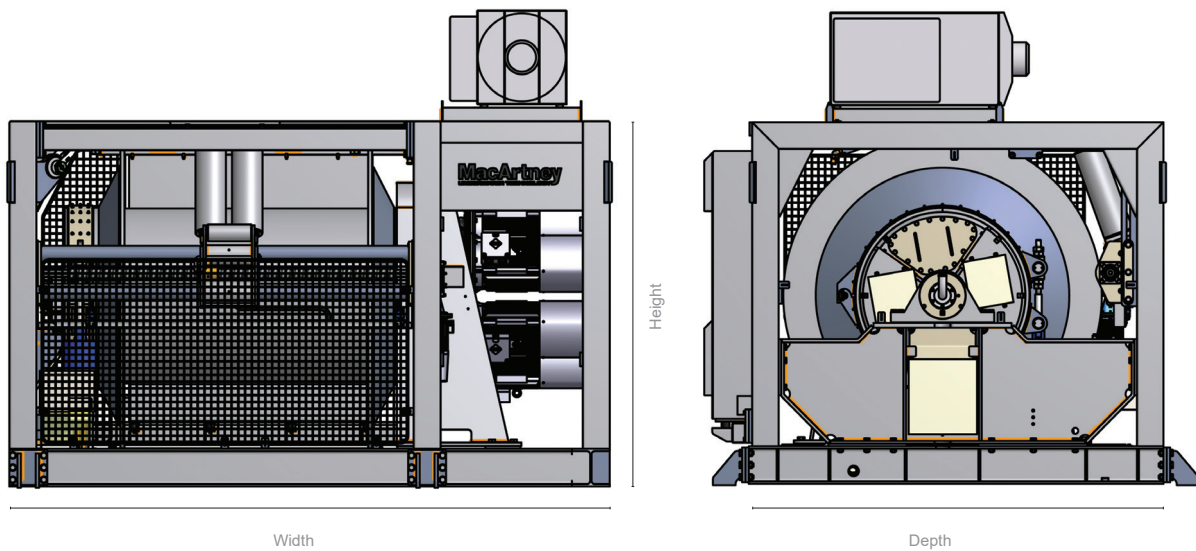
### Applications

- Work class ROV systems
- Inspection class ROV systems
- Towed underwater vehicles and systems
- Subsea installations
- General marine instrumentation and applications
- Subsea crane
- Piston corer handling

### System options

- Active heave compensation (AHC)
- Right angle level wind
- Remote diagnostics tool
- Service and maintenance programme
- Spare parts package
- Remote control with joystick and emergency stop
- Remote control with joystick, emergency stop and display for indication of deployed cable length and speed
- Wireless remote control with joystick and emergency stop
- Cable status indicator (speed and length)
- A-frame, davit or deck crane
- LeBus sleeves
- Cable sheave
- Focal electric/electro-optical slip ring model 176
- CE marking (if it comes with cable and termination)
- Fork lift pockets
- Tarpaulin cover
- Internal/external umbilical cooling
- Other cable diameters available upon request





**Specifications**

model	Winch dimensions (Width/depth/height) mm	Drum dimensions (Core/flange x length) mm	Cable OD mm	Cable capacity (Length) m	Winch weight kg	Pull (Layer 1) kN	Speed (Layer 1) m/min	Motor size kW	Power supply V
MERMAC R10 AHC	2,667/2,080/2,200	ø1,000/ø1,450 x 777	21-25.5	1,375-550	6,500	23.5	0-91	1 x 45	3x400/440
MERMAC R20	3,796/2,868/2,260	ø1,300/ø1,900 x 1,924	21-30	6,600-2,400	13,500	70	0-35	2 x 22	3x400/440
MERMAC R20 AHC	3,796/2,868/2,260	ø1,300/ø1,900 x 1,924	21-30	6,600-2,400	14,000	70	0-70	2 x 45	3x400/440
MERMAC R30	4,019/3,482/2,710	ø1,300/ø2,400 x 1,369	34.5-40.7	3,150-2,125	20,500	195	0-36	6 x 22	3x400/440
MERMAC R30 AHC	3,988/3,174/2,710	ø1,300/ø2,400 x 1,369	34.5-40.7	3,150-2,125	21,000	195	0-72	6 x 45	3x400/440
MERMAC R40	4,467/3,589/2,710	ø1,300/ø2,400 x 1,800	34.5-40.7	4,150-3,175	20,100	195	0-36	6 x 22	3x400/440
MERMAC R40 AHC	4,467/3,589/2,710	ø1,300/ø2,400 x 1,800	34.5-40.7	4,150-3,175	21,000	195	0-86	6 x 45	3x400/440
MERMAC R50	5,010/3,484/2,700	ø1,300/ø2,400 x 2,304	34.5-40.7	5,400-4,050	21,500	195	0-36	6 x 22	3x400/440
MERMAC R50 AHC	5,010/3,484/2,700	ø1,300/ø2,400 x 2,304	34.5-40.7	5,400-4,050	22,000	195	0-86	6 x 45	3x400/440