

# LUXUS Compact LED



The LUXUS compact LED light is ideal for diving applications. The LED has an output of 440 or 780 lumen and is available with different reflectors. The LUXUS compact LED is a wet and dry light and can be used from 4,000 metres depth up to the deck without needing to be switched off. The electronics have an auto resetting thermal protection switch that protects the LED and LED driver from high temperatures.

The LUXUS compact LED can be dimmed with a reference voltage of 0 to 5 VDC, 0 to 10 VDC and can be powered with a wide DC range from 24 to 48 VDC. The LUXUS LED driver can be built into the LED light or placed in an external controller, allowing the light to be operated using only 2 wires. The light comes with SubConn® or alternative customer specified connectors.

The LUXUS compact LED is the smallest LED light in the LUXUS range and is designed to function perfectly in combination the LUXUS compact camera and LUXUS compact media controller.

The housing is made from sandblasted titanium and has a depth rating of 4,000 metres.

## Features and benefits

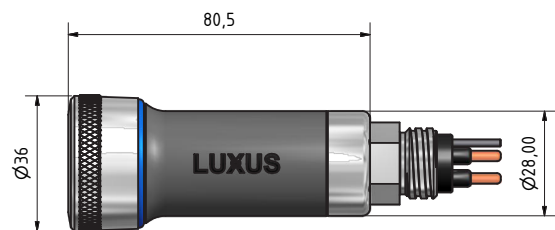
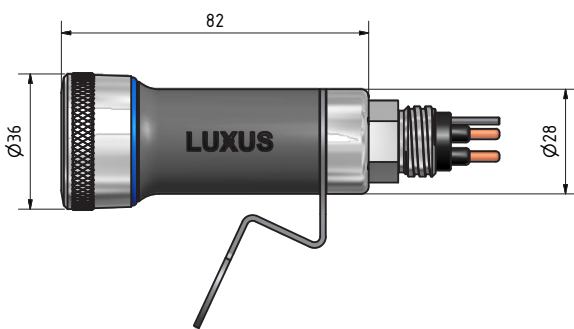
- Lightweight
- Compact
- Wet and dry
- 4,000 metre depth rating
- Thermal protection

## Applications

- Diving applications
- General underwater inspection
- ROV systems
- ROV manipulator systems
- Trencher systems
- Crawler systems
- Tether management systems
- Tow and drop camera systems
- Benthic sledge systems
- Underwater observatory systems
- Winch and deck lighting

## Options

- 440 lumen or 780 lumen version
- A range of different reflectors
- Alternative connectors
- Custom wiring
- LUXUS helmet mounting bracket
- LUXUS universal mounting bracket
- LUXUS pistol grip bracket
- LUXUS dovetail bracket
- Integrated brackets



## Specifications

### Electrical

#### 440 version

Output:	440 lumen
Power supply:	24-48 VDC
Power consumption:	6.5 W

#### 780 version

Output:	780 lumen
Power supply:	24-48 VDC
Power consumption:	7.5 W

Dimming:	5-0 VDC (10-0 VDC)* (0V = max brightness)
----------	--

Standard wiring:	1 power + 2 power Gnd 3 dimming (5 VDC)
------------------	---

### Mechanical

Material:	Titanium
Standard connector:	SubConn® MCBH2M Ti (external LED driver) SubConn® MCBH3M Ti (internal LED driver)

Other connectors:	On request
Dimensions:	See drawing (mm) (1 mm = 0.03937 inch)
Weight:	200 g in air 135 g in water
Window/Lens:	Borosilicate glass
Thermal protection:	Yes, auto resetting

### Optical

Beam angle air:	60°, (or 35°)*
Beam angle water:	48°, (or 29°)*
Output:	440/780 lumen
Typical colour temperature:	> 5,600 °K

### Environmental

Depth rating:	4,000 m
Test pressure:	600 bar
Storage temperature:	-30 to +70 °C
Operating temperature:	-15 to +50 °C

\*optional