

SubConn® Penetrator

Water Blocked Right Angle

Connector specifications

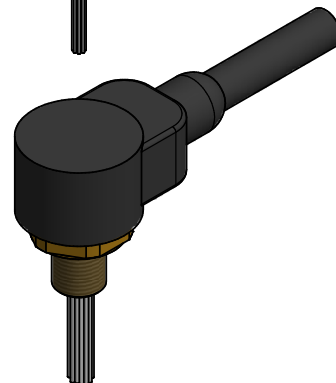
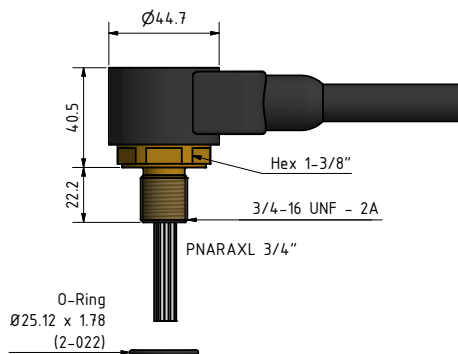
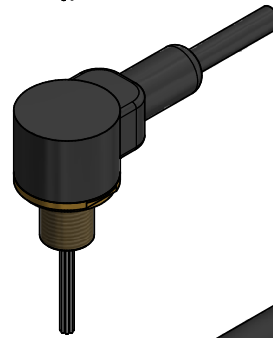
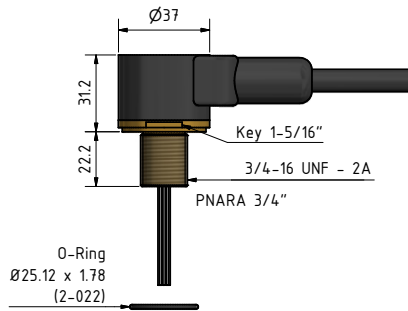
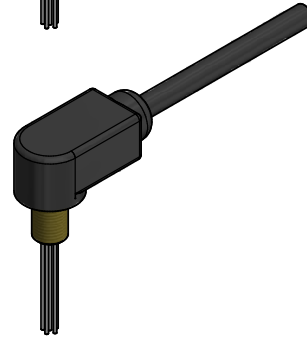
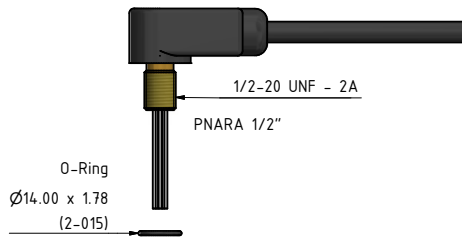
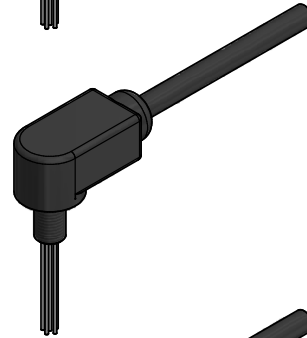
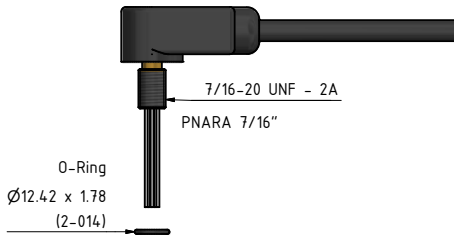
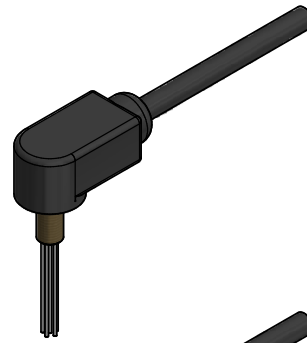
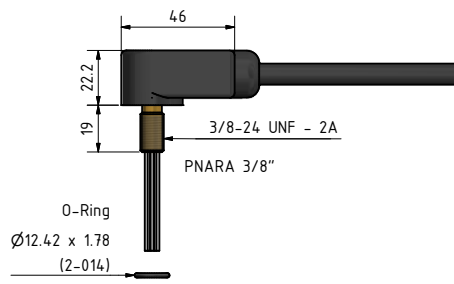
Voltage rating (all penetrators)	300/600 V DC/AC rms (depends on cable)
Current rating	Depends on wire and conductor size
Insulation resistance	> 200 Mohm
Temperature rating (water)	- 4 to 60°C, - 25 to 140°F
Temperature rating (air)	- 40 to 60°C, - 40 to 140°F
Storage temperature rating	- 40 to 60°C, - 40 to 140°F
Qualified pressure tested	800 bar, 11,600 psi

Material specifications

Penetrator body	Chloroprene rubber
Penetrator metal part	Brass, stainless steel
Wire and conductor size	18 AWG, 0.82 mm ² to 22 AWG, 0.33 mm ² (depends on wire quantity)
Penetrator wire leads (30 cm, 1 ft)	PTFE
Cable outside diameter	Depends on penetrator and cable type
O-rings	Nitrile
Inline cable length	Customer specified
Inline cable type	Customer specified (SubConn® cables only)

Inline cable colour code

Depends on corresponding SubConn® connector and cable type.



Drawing information

Dimensions in mm (1 mm = 0.03937 inch)
Threads in inches (1 inch = 25.4 mm)