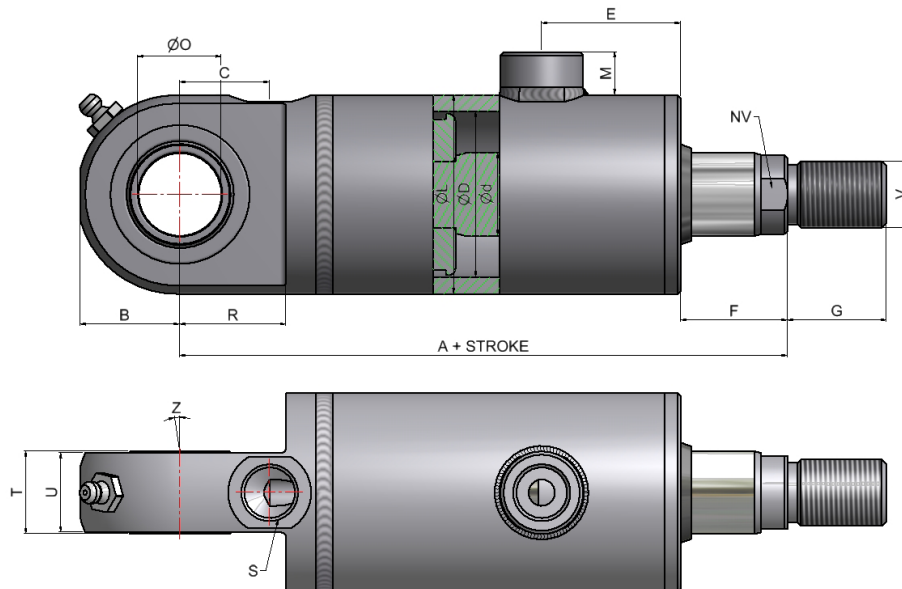


# KS2-DVLG Cylinders

## Spherical bearing - threaded rod end



### Specifications

$\varnothing D$	50	63	80	90	100	110	125	140	160	180	200	220	250
$\varnothing d$	25/32	32/40	40/50	45/56	50/63	56/70	63/80	70/90	80/100	90/110	100/125	100/140	110/160
A	160	180	200	220	252	265	290	302	340	357	380	508	548
B	30	35	40	50	53	53	65	73	80	83	88	120	130
C	25	33	36	44	54	54	65	76	77	84	96	169	195
E	42	46	51	56	76	76	90	102	114	122	122	135	158
F	34	39	40	51	46	59	44	29	47	37	47	53	39
G	28	36	45	45	56	56	63	75	85	85	85	106	112
$\varnothing L$	60	73	95	105	120	130	145	165	185	210	230	250	298.5
M	14	14	19	19	19	19	19	19	22	22	22	22	22
$\varnothing O$	25 (-0.01)	30 (-0.01)	35 (-0.012)	45 (-0.012)	50 (-0.012)	50 (-0.012)	60 (-0.015)	70 (-0.015)	80 (-0.015)	80 (-0.015)	90 (-0.02)	110 (-0.02)	120 (-0.02)
NV	22/25	25/35	35/45	38/48	45/55	48/60	55/70	60/80	70/90	80/102	90/115	92/130	102/150
R	32	40	45	50	63	63	71	80	90	90	100	140	160
S	3/8"	3/8"	1/2"	1/2"	3/4"	3/4"	3/4"	3/4"	1"	1"	1"	1"	1"
T	29	30	35	40	43	43	54	65	74	74	60	70	85
U	24	28	32	38	40	40	50	60	70	70	80	80	90
V	M20x1.5	M27x2	M33x2	M33x2	M42x2	M42x2	M48x2	M56x2	M64x3	M64x3	M72x3	M90x3	M100x3
Z	4°	4°	4°	4°	4°	4°	4°	4°	4°	4°	4°	4°	6°

All measurements in millimetres (mm) unless otherwise quoted.