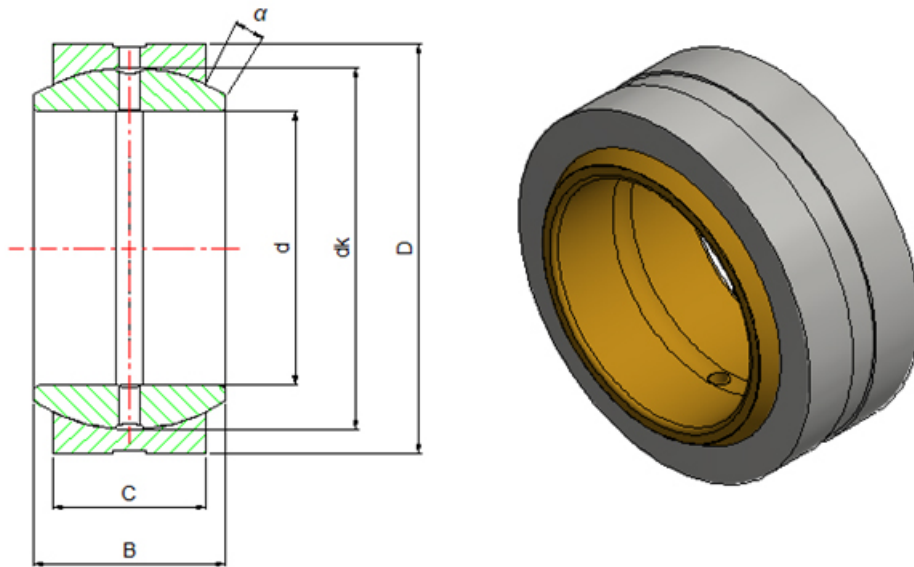


Spherical Bearings Steel/Bronze

Radial spherical plain bearing for heavy duty



Specifications

Type	Ø d	Ø D	B	C	α	Ø dk	Dynamic Load kN	Static Load kN	Weight kg
GE 10 ES Steel/Bronze	10	19	9	6	12	16	3	8	0,01
GE 12 ES Steel/Bronze	12	22	10	7	11	18	4	11	0,02
GE 17 ES Steel/Bronze	17	30	14	10	10	25	8	21	0,04
GE 20 ES Steel/Bronze	20	35	16	12	9	29	11	30	0,07
GE 25 ES Steel/Bronze	25	42	20	16	7	35,5	18	52	0,12
GE 30 ES Steel/Bronze	30	47	22	18	6	40,7	23	62	0,15
GE 35 ES Steel/Bronze	35	55	25	20	6	47	30	86	0,23
GE 40 ES Steel/Bronze	40	62	28	22	7	53	37	107	0,31
GE 45 ES Steel/Bronze	45	68	32	25	7	60	48	146	0,43
GE 50 ES Steel/Bronze	50	75	35	28	6	66	59	182	0,55
GE 60 ES Steel/Bronze	60	90	44	36	6	80	92	273	1,04
GE 70 ES Steel/Bronze	70	105	49	40	6	92	118	378	1,55
GE 80 ES Steel/Bronze	80	120	55	45	6	105	151	489	2,31
GE 90 ES Steel/Bronze	90	130	60	50	5	115	184	585	2,75
GE 100 ES Steel/Bronze	100	150	70	55	7	130	229	792	4,45
GE 110 ES Steel/Bronze	110	160	70	55	6	140	271	874	4,77
GE 120 ES Steel/Bronze	120	180	85	70	6	160	391	1.259	8,02
GE 140 ES Steel/Bronze	140	210	90	70	8	180	544	1.750	11,27
GE 160 ES Steel/Bronze	160	230	105	80	8	200	660	2.124	14,25

All measurements in millimetres (mm) unless otherwise quoted.