

SubConn® Power

1 contact

Connector specifications

Voltage rating inline and bulkhead (1 KV version)	1 KV DC/AC rms
Current rating inline, overmould and bulkhead (1 KV version)	250 A
Voltage rating overmould and bulkhead (3 KV version)*	3 KV DC/AC rms
Current rating of OM and BH (3 KV version)	90 A
Insulation resistance	> 200 Mohm
Contact resistance	< 0.01 ohm
Wet matings	> 500 (open face rated)
Temperature rating (water)	- 4 to 60°C, 25 to 140°F
Temperature rating (air)	- 40 to 60°C, - 40 to 140°F
Storage temperature rating	- 40 to 60°C, - 40 to 140°F
Qualified pressure tested	800 bar, 11,600 psi

Material specifications

Connector body	Chloroprene rubber
Bulkhead body	Brass, stainless steel or titanium
Contacts	Brass UNS - C36000
Adapter	Brass UNS - C36000
O-rings	Nitrile
Locking sleeves	POM or stainless steel
Snap rings	Stainless steel AISI 302
Inline cable (2 ft, 60 cm)	1/0 AWG, 53.46 mm ² chloroprene rubber

Inline cable colour code

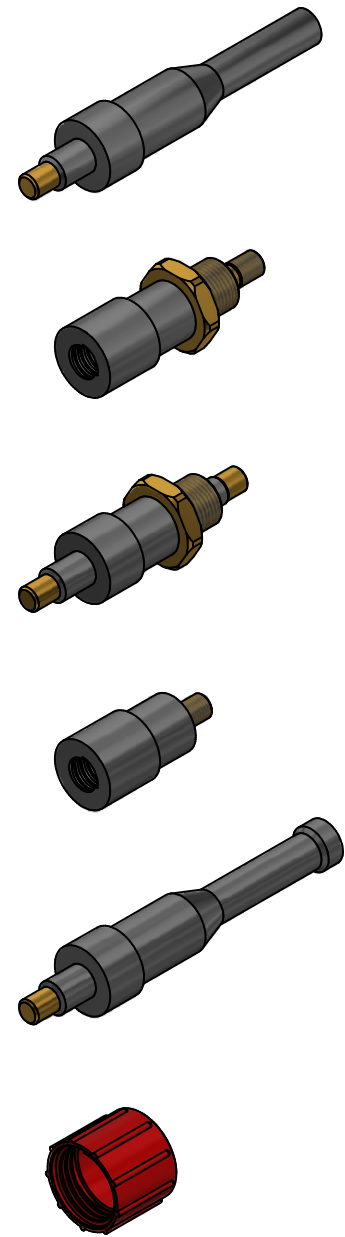
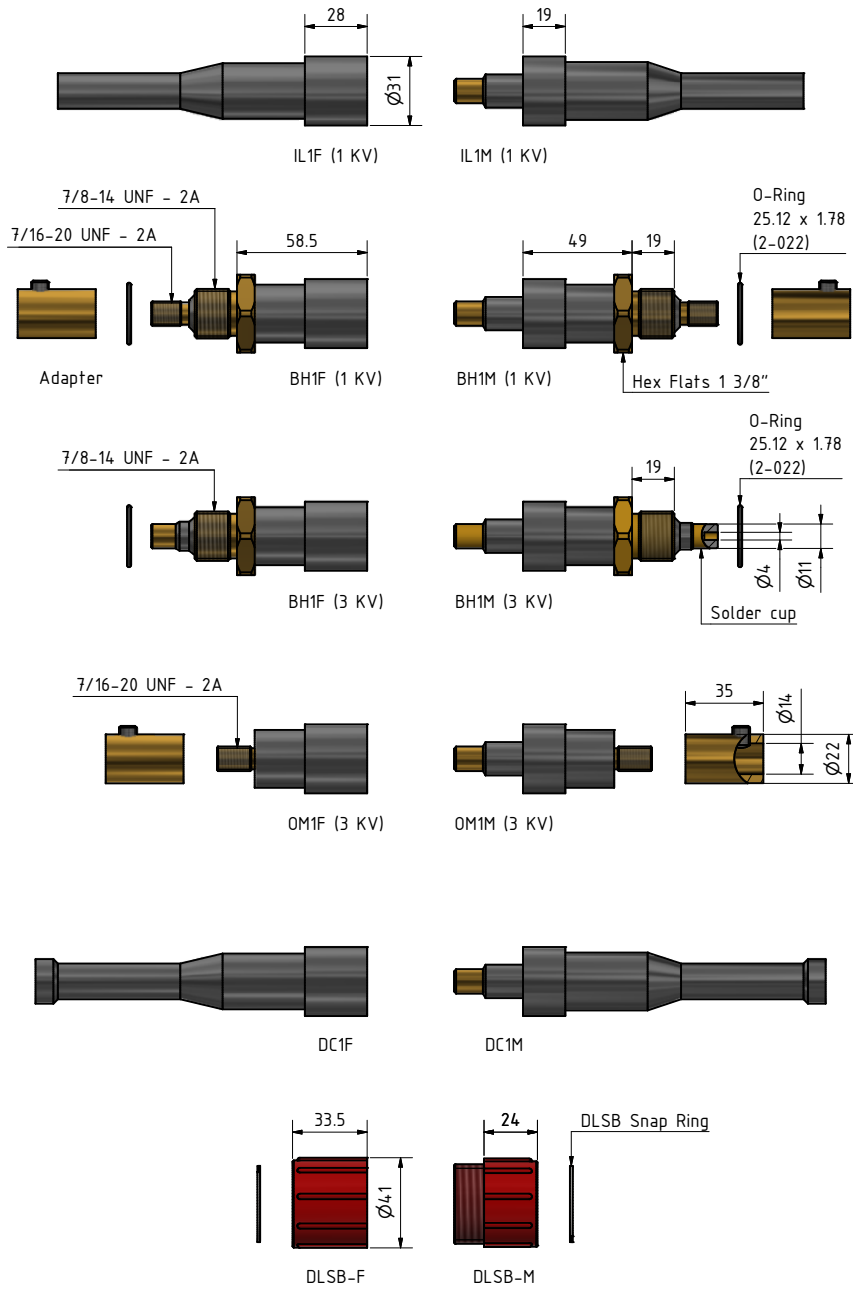
1 Black

Nominal cable outside diameter (OD)

1 conductor cable 0.6" to 0.85", 15.0 mm to 22.0 mm

Additional information

* Only if the bulkhead is mounted in non-conducting oil



Drawing information

Dimensions in mm (1 mm = 0.03937 inch)
Threads in inches (1 inch = 25.4 mm)