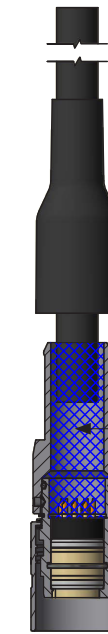
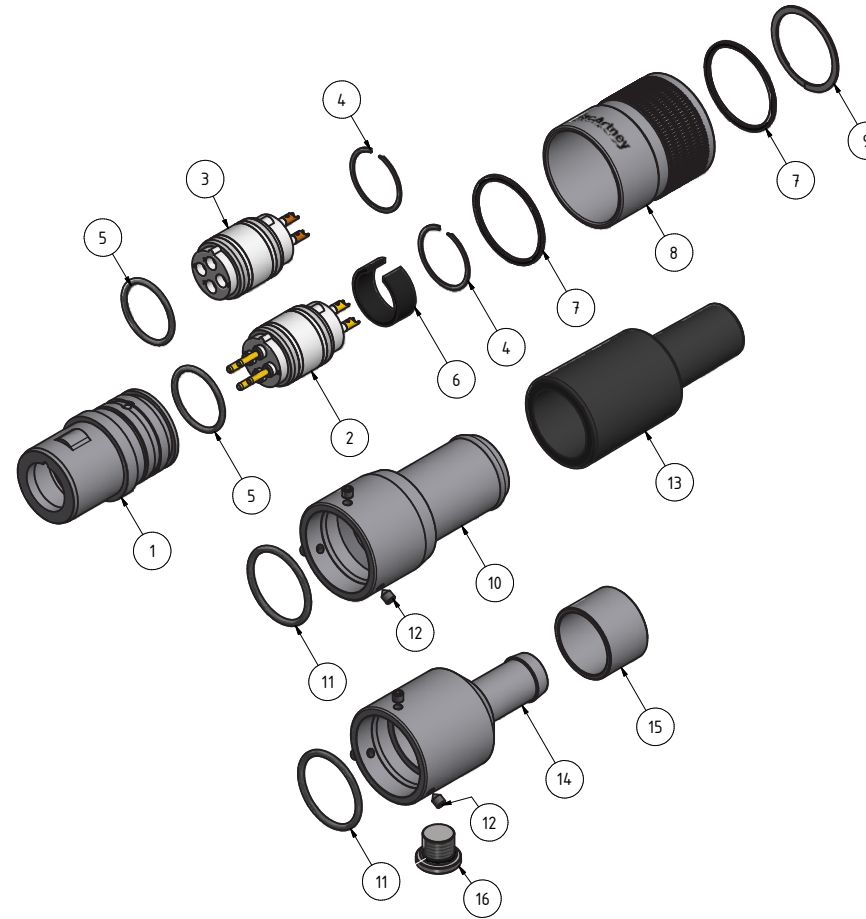


TrustLink Metal Shell Connector

CCP - assembly instruction



To avoid air inside the connector.
The boot stud (item 10) shall be potted
with PUR 3M 2131U or similar.
Before sliding on the boot (item 13)

MacArtney
UNDERWATER TECHNOLOGY

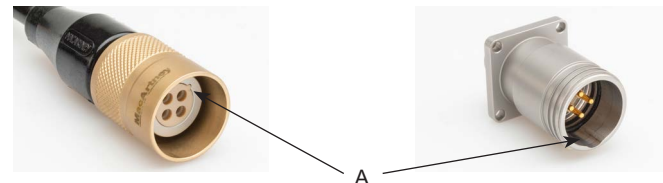
Important:
Male connectors shall not be energised while unmated.
Energising in unmated condition causes a significant
health risk due to electrical shock or short circuit due to
the potential risk of flashover pin to pin or pin to housing.

	CCP	Male Insert kit	Female Insert kit	O-ring kit for CCP	Boot Stud	PBOF Stud	O-ring kit for Boot/PBOF Stud				
SA 04 Pin	1) Housing 0024730601-020 8) Locking sleeve Alu br. 023-10117488 8) Locking sleeve AISI316 0024730601-003	Kit no.: 100005413	2) Insert 02961001 4) Circlips XVHM-19 100006662 5) O-ring 08350109 (ø17.5x1.5 FPM75)	Kit no.: 100005424	3) Insert 2961002 4) Circlips XVHM-19 100006662 5) O-ring 08350109 (ø17.5x1.5 FPM75)	Kit no.: 100005297	4) Circlips XVHM-19 100006662 5) O-ring 08350109 (ø17.5x1.5 FPM75) 6) Distance ring 0015730011-002 7) Washer 0015730011-008 9) Snap ring 02801324	10) Boot stud 0024730601-037 13) Boot for cable ø7.5-ø9.5 0080730612-006 13) Boot for cable ø9.5-ø12 0080730612-003 13) Boot for cable ø12-ø15 0080730612-001	14) 0024730601-027 15) Press Ring 0015000001-142 16) Blind Plug 02106046	Kit no.: 100005303	11) O-ring 08350032 (ø20.35x1.78 FPM75) 12) DIN 914 M3x4 A4-70 08360186
SA 08 Pin		Kit no.: 100005425	2) Insert 02961003 4) Circlips XVHM-19 100006662 5) O-ring 08350109 (ø17.5x1.5 FPM75)	Kit no.: 100005426	3) Insert 2961004 4) Circlips XVHM-19 100006662 5) O-ring 08350109 (ø17.5x1.5 FPM75)						
SA 12 Pin		Kit no.: 100005427	2) Insert 02961005 4) Circlips XVHM-19 100006662 5) O-ring 08350109 (ø17.5x1.5 FPM75)	Kit no.: 100005428	3) Insert 2961006 4) Circlips XVHM-19 100006662 5) O-ring 08350109 (ø17.5x1.5 FPM75)						
SB 16 Pin	1) Housing 0024730601-017 8) Locking sleeve Alu br. 023-10117489 8) Locking sleeve AISI316 0024730601-018	Kit no.: 100005429	2) Insert 02961007 4) Circlips XVHM-20 100006663 5) O-ring 08350110 (ø18.5x1.5 FPM75)	Kit no.: 100005430	3) Insert 02961008 4) Circlips XVHM-20 100006663 5) O-ring 08350110 (ø18.5x1.5 FPM75)	Kit no.: 100005298	4) Circlips XVHM-20 100006663 5) O-ring 08350110 (ø18.5x1.5 FPM75) 6) Distance ring 0015730011-003 7) Washer 0015730011-008 9) Snap ring 02801324	10) Boot stud 0024730601-037 13) Boot for cable ø7.5-ø9.5 0080730612-006 13) Boot for cable ø9.5-ø12 0080730612-003 13) Boot for cable ø12-ø15 0080730612-001	14) 0024730601-027 15) Press Ring 0015000001-142 16) Blind Plug 02106046	Kit no.: 100005303	11) O-ring 08350032 (ø20.35x1.78 FPM75) 12) DIN 914 M3x4 A4-70 08360186
SB 19 Pin		Kit no.: 100005431	2) Insert 02961009 4) Circlips XVHM-20 100006663 5) O-ring 08350110 (ø18.5x1.5 FPM75)	Kit no.: 100005432	3) Insert 02961010 4) Circlips XVHM-20 100006663 5) O-ring 08350110 (ø18.5x1.5 FPM75)						
SC 26 Pin	1) Housing 0024730601-022 8) Locking sleeve Alu br. 0024730601-038 8) Locking sleeve AISI316 0024730601-023	Kit no.: 100005433	2) Insert 02961011 4) Circlips XVHM-24 100006664 5) O-ring 08350112 (ø22.5x1.5 FPM-75)	Kit no.: 100005434	3) Insert 02961012 4) Circlips XVHM-24 100006664 5) O-ring 08350112 (ø22.5x1.5 FPM-75)	Kit no.: 100005299	4) Circlips XVHM-24 100006664 5) O-ring 08350112 (ø22.5x1.5 FPM75) 6) Distance ring 0015730011-005 7) Washer 0015730011-004 9) Snap ring 02801325	10) Boot stud 0024730601-030 13) Boot for cable ø12-ø15 0080730612-002 13) Boot for cable ø15-ø18 0080730612-005	14) 0024730601-028 15) Press Ring 0015000001-143 16) Blind Plug 02106046	Kit no.: 100005305	11) O-ring 08350003 (ø25.12x1.78 FPM75) 12) DIN 914 M3x4 A4-70 08360186
SC 37 Pin		Kit no.: 100005435	2) Insert 02961013 4) Circlips XVHM-24 100006664 5) O-ring 08350112 (ø22.5x1.5 FPM-75)	Kit no.: 100005436	3) Insert 02961014 4) Circlips XVHM-24 100006664 5) O-ring 08350112 (ø22.5x1.5 FPM-75)						

TrustLink Metal Shell Connectors Handling instructions

Follow these instructions carefully to ensure correct use of your TrustLink connector.

Assembly

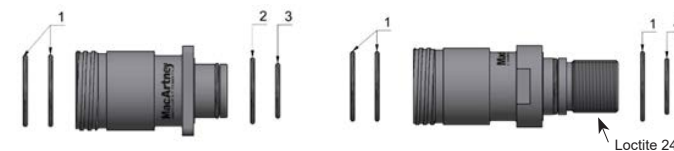


TrustLink CCP to FCR, BCR receptacle

- Step 1: Inspect the connector metal parts and O-rings for contamination. Grease the O-rings with Molykote 111
- Step 2: Inspect the connector insert. If the connector insert is contaminated, follow the TrustLink MS maintenance
- Step 3: Visually align the key way on the CCP connector with the key pin tip on the receptacle **before** mating (illustration A)
- Step 4: Push to mate the connector, whilst turning the locking sleeve
- Step 5: The locking sleeve must be hand tightened only

Maintenance

- If the connector insert or O-rings are contaminated. Cleaning and removal of any accumulated contamination on a connector, should be performed by using spray based contact cleaner (isopropyl alcohol)
- Repeat the cleaning process if necessary
- O-rings item 1, 2, 3, 4 must be checked before mating/mounting and will require replacing if they show signs of damage
- Sizes of O-rings can be found in the assembly instructions on our webpage



- Always grease O-rings with Molykote 111
- For securing the BCR connectors and nut, the use of Loctite 243 is recommended (Loctite 243 or equivalent) If the torque is less as recommended, always use Loctite 243
- Be careful not to get the Loctite on the O-rings

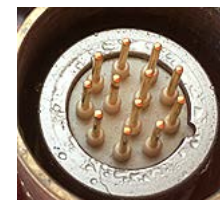
Recommended torque on Bulkhead TrustLink MS (Loctite 243 applied)

Type	Material	Rec. Torque – Nm
3/4" - 20 UNF	Stainless steel, brass	52 ± 2
7/8" - 20 UNF	Stainless steel, brass	71 ± 2
1" - 20 UNF	Stainless steel, brass	92 ± 2

The TrustLink Metal Shell series is rated to 600 bar mated.

NOTE:

When dismantling the CCP, vacuum may accrue in the connector. It can cause water from above the O-rings, to migrate in to the connection area. If that accrues, run the maintenance instruction.



MacArtney
UNDERWATER TECHNOLOGY

TrustLink
Metal Shell Connectors



CCP - assembly instruction