

# SubConn® Power

## 1 contact

### Connector specifications

#### 1 kV version:

Voltage rating

Inline and bulkhead - 1kV DC/AC rms

Current rating

Inline and bulkhead - 250 A

#### 3 kV version:

Voltage rating

Overmould and bulkhead - 3kV DC/AC rms

Current rating

Overmould and bulkhead - 90 A

Insulation resistance

> 200 Mohm

Contact resistance

< 0.01 ohm

Wet matings

> 500 (open face rated)

Temperature rating (water)

- 4 to 60°C, 25 to 140°F

Temperature rating (air)

- 40 to 60°C, - 40 to 140°F

Storage temperature rating

- 40 to 60°C, - 40 to 140°F

Qualified pressure tested

800 bar, 11,600 psi

### Material specifications

Connector body

Chloroprene rubber

Bulkhead body

Brass, stainless steel or titanium

Contacts

Brass UNS - C36000

Adapter

Brass UNS - C36000

O-rings

Nitrile

Locking sleeves

POM or stainless steel

Snap rings

Stainless steel AISI 302

Inline cable (2 ft, 60 cm)

1/0 AWG, 53.46 mm<sup>2</sup> synthetic rubber

### Inline cable colour code

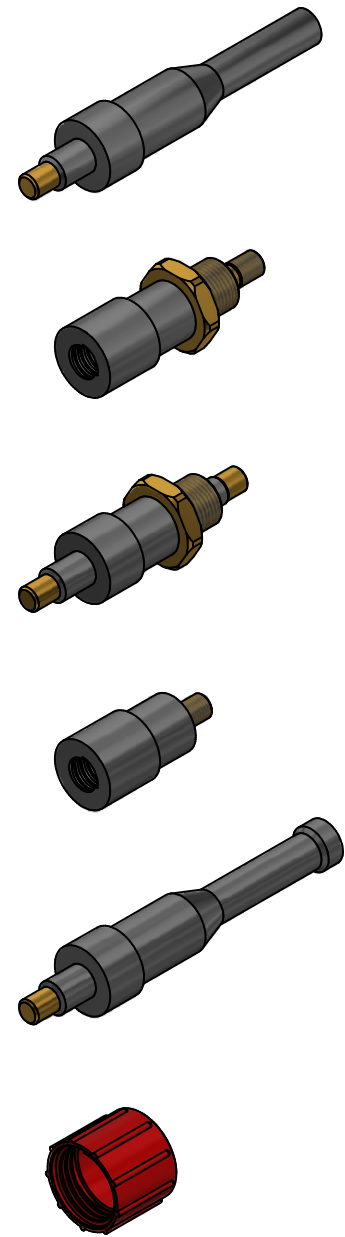
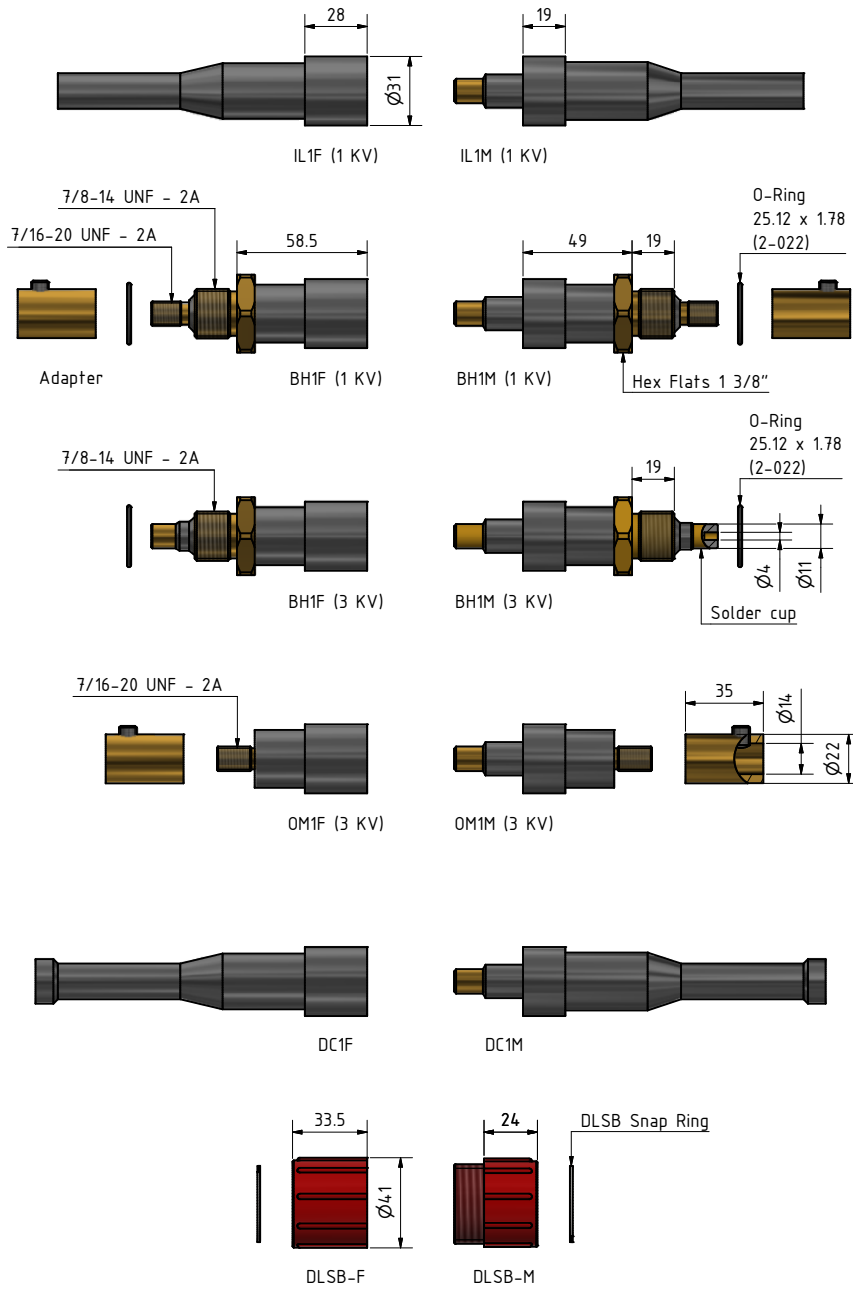
1 Black

### Nominal cable outside diameter (OD)

1 conductor cable 0.6" to 0.85", 15.0 mm to 22.0 mm

### Additional information

\* Only if the bulkhead is mounted in non-conducting oil



**Drawing information**

Dimensions in mm (1 mm = 0.03937 inch)  
Threads in inches (1 inch = 25.4 mm)