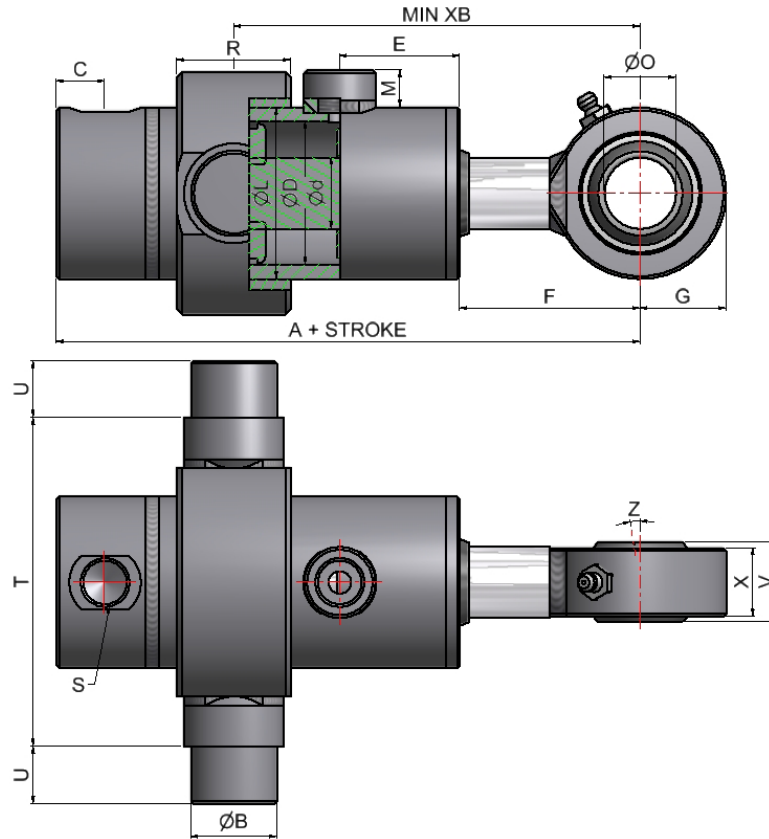


KS2-DVLP Cylinders

Trunnion mounting - spherical bearing rod end



Specifications

| ØD | 50 | 63 | 80 | 90 | 100 | 110 | 125 | 140 | 160 | 180 | 200 | 220 | 250 |
|----|---------------|---------------|----------------|----------------|----------------|----------------|----------------|----------------|----------------|----------------|---------------|----------------|----------------|
| Ød | 25/32 | 32/40 | 40/50 | 45/56 | 50/63 | 56/70 | 63/80 | 70/90 | 80/100 | 90/110 | 100/125 | 100/140 | 110/160 |
| A | 179 | 195 | 213 | 228 | 263 | 277 | 300 | 311 | 354 | 371 | 388 | 480 | 515 |
| ØB | 30 f7 | 35 f7 | 40 f7 | 45 f7 | 50 f7 | 55 f7 | 60 f7 | 70 f7 | 80 f7 | 90 f7 | 90 f7 | 110 f7 | 140 f7 |
| C | 15 | 18 | 18 | 20 | 22 | 23 | 25 | 21 | 28 | 26 | 27 | 40 | 35 |
| E | 42 | 46 | 51 | 56 | 76 | 76 | 90 | 102 | 114 | 122 | 122 | 135 | 158 |
| F | 64 | 74 | 76 | 84 | 93 | 104 | 103 | 102 | 115 | 116 | 129 | 165 | 166 |
| G | 30 | 35 | 40 | 50 | 55 | 55 | 65 | 80 | 85 | 85 | 90 | 120 | 130 |
| ØL | 60 | 73 | 95 | 105 | 120 | 130 | 145 | 165 | 185 | 210 | 230 | 254 | 298.5 |
| M | 14 | 14 | 18 | 18 | 18 | 18 | 18 | 18 | 22 | 22 | 22 | 22 | 22 |
| ØO | 25 (-0.01) | 30 (-0.01) | 35 (-0.012) | 45 (-0.012) | 50 (-0.012) | 50 (-0.012) | 60 (-0.015) | 70 (-0.015) | 80 (-0.015) | 80 (-0.015) | 90 (-0.02) | 110 (-0.02) | 120 (-0.02) |
| R | 40 | 50 | 60 | 65 | 70 | 80 | 80 | 100 | 110 | 130 | 150 | 150 | 190 |
| S | 3/8" | 3/8" | 1/2" | 1/2" | 3/4" | 3/4" | 3/4" | 3/4" | 1" | 1" | 1" | 1" | 1" |
| T | 115 | 130 | 145 | 160 | 175 | 190 | 210 | 230 | 275 | 300 | 320 | 355 | 410 |
| U | 20 | 20 | 25 | 27.5 | 30 | 35 | 40 | 42.5 | 52.5 | 55 | 55 | 60 | 100 |
| V | 29 | 30 | 35 | 40 | 43 | 43 | 54 | 65 | 74 | 74 | 60 | 70 | 85 |
| X | 24 | 28 | 32 | 38 | 40 | 40 | 50 | 60 | 70 | 70 | 80 | 80 | 90 |
| Z | 4° | 4° | 4° | 4° | 4° | 4° | 3° | 4° | 4° | 4° | 5° | 6° | 6° |
| XB | 160 | 175 | 200 | 215 | 243 | 255 | 280 | 293 | 330 | 343 | 365 | 447 | 477 |

All measurements in millimetres (mm) unless otherwise quoted.