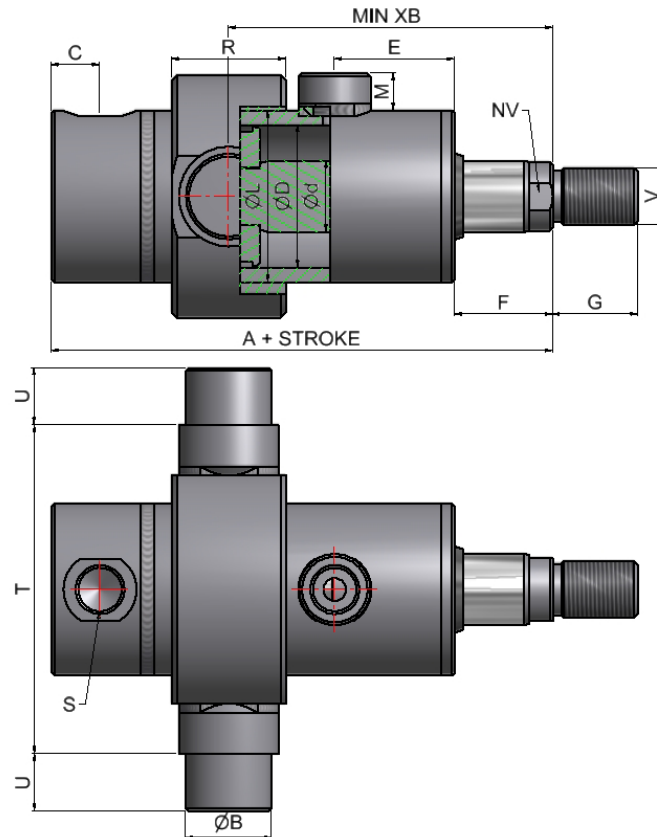


# KS2-DVGP Cylinders

## Trunnion mounting - threaded rod end



### Specifications

ØD	50	63	80	90	100	110	125	140	160	180	200	220	250
Ød	25/32	32/40	40/50	45/56	50/63	56/70	63/80	70/90	80/100	90/110	100/125	100/140	110/160
A	149	160	173	183	207	222	235	238	269	288	298	368	388
ØB	30 f7	35 f7	40 f7	45 f7	50 f7	55 f7	60 f7	70 f7	80 f7	90 f7	90 f7	110 f7	140 f7
C	15	18	18	20	22	23	25	21	28	26	27	40	35
E	42	46	51	56	76	76	90	102	114	122	122	135	158
F	34	39	36	39	37	49	38	29	30	33	39	53	39
G	28	36	45	45	56	56	57	75	85	85	85	106	112
ØL	60	73	95	105	120	130	145	165	185	210	230	254	298.5
M	14	14	19	19	19	19	19	19	22	22	22	22	22
R	40	50	55	65	70	80	80	100	110	130	150	150	190
S	3/8"	3/8"	1/2"	1/2"	3/4"	3/4"	3/4"	3/4"	1"	1"	1"	1"	1"
T	115	130	145	160	175	190	210	230	275	300	320	355	410
U	20	20	25	27.5	30	35	40	42.5	52.5	55	55	60	100
V	M20x1.5	M27x2	M33x2	M33x2	M42x2	M42x2	M48x2	M56x2	M64x3	M64x3	M72x3	M90x3	M100x3
XB	132	140	160	170	187	200	215	220	245	260	275	335	350
NV	22/25	25/35	35/45	38/48	45/55	48/60	55/70	60/80	70/90	80/102	90/115	92/130	102/150

All measurements in millimetres (mm) unless otherwise quoted.